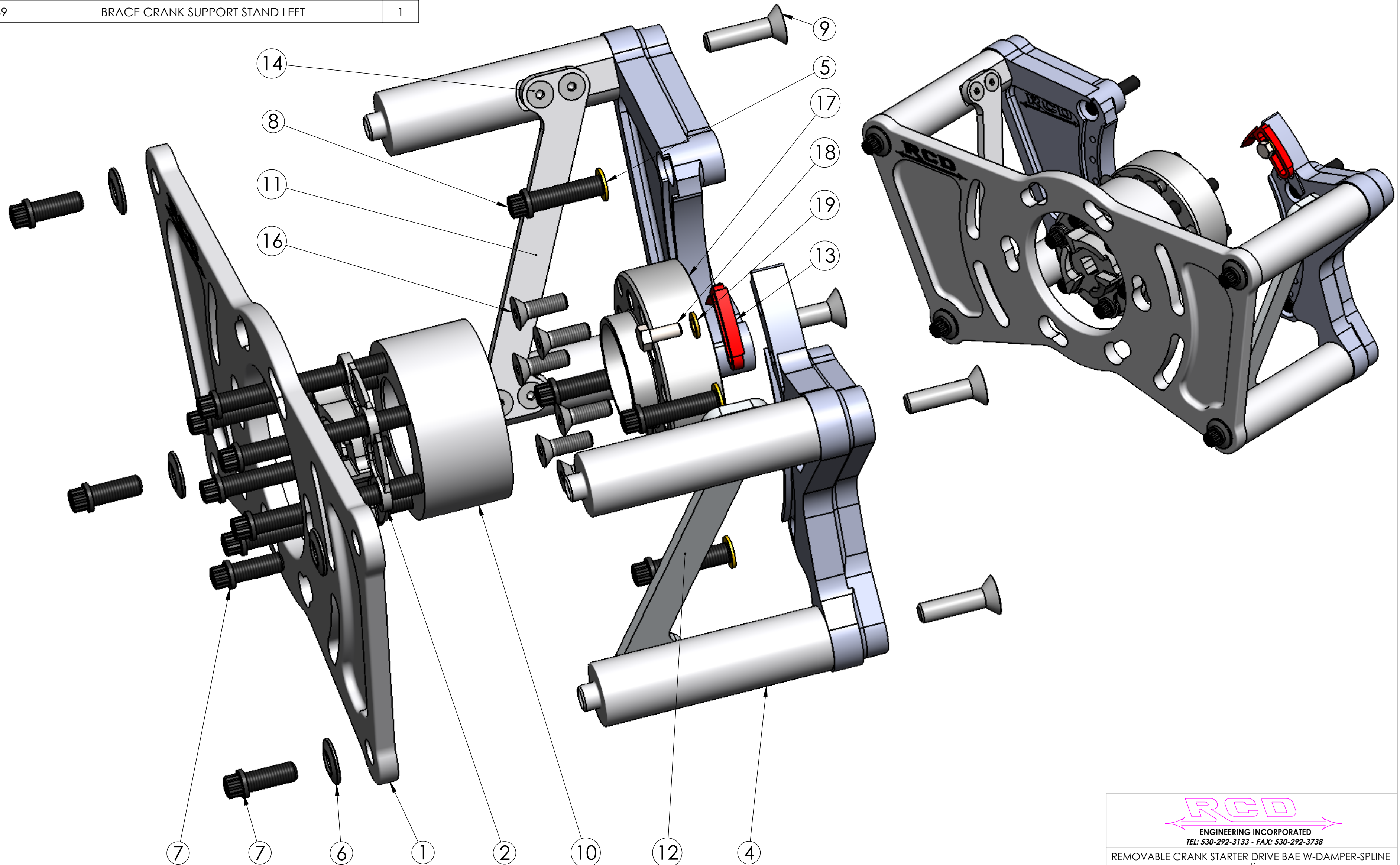


ITEM	PART #	DESCRIPTION	QTY.
1	101002-12	STARTER PLATE CRANK MOUNT REMOVABLE 6 INCH REV-A	1
2	101303-09	ENGINE JAW 6 HOLE	1
3	202007-05	426 CRANK TRIGGER BRACKETS WITH CRANK SUPPORT WINGS	1
4	202035-25	STAND CRANK SUPPORT 4.5	4
5	352503-06	3/8 AN WASHER	4
6	352505-50	WASHER HEAT TREATED 0.38 I.D. 0.125 THICK 0.90 DIA	4
7	356337-16	3/8-16 X 1.0 12PT	4
8	356337-24	3/8-16 X 1.50 12PT	4
9	356937-24	FHCS 3/8-16 X 1.50	4
10	101303-80	ENGINE JAW SPACER 1.75 BAE-DAMPER-SPLINE	1
11	202035-88	BRACE CRANK SUPPORT STAND RIGHT	1
12	202035-89	BRACE CRANK SUPPORT STAND LEFT	1

ITEM	PART #	DESCRIPTION	QTY.
13	202022-20	POINTER RCD FRONT COVER ADJUSTABLE 14 DEG	1
14	202022-20	FHCS 1/4-20 X .50	8
15	356237-64	3/8-24 X 4.00 12PT	6
16	357231-16	FHCS-TORX 5/16-24 x 1.0	6
17	204203-01	ADPT CRANK HUB TO ATI DAMPER	1
18	357725-10	HHB 1/4-20 x .625	1
19	352503-04	1/4 AN WASHER	1



ENGINEERING INCORPORATED
 TEL: 530-292-3133 - FAX: 530-292-3738
 REMOVABLE CRANK STARTER DRIVE BAE W-DAMPER-SPLINE
 section